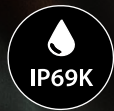




EA-193-80

LOW VOLTAGE IPM MOTOR



IP69K

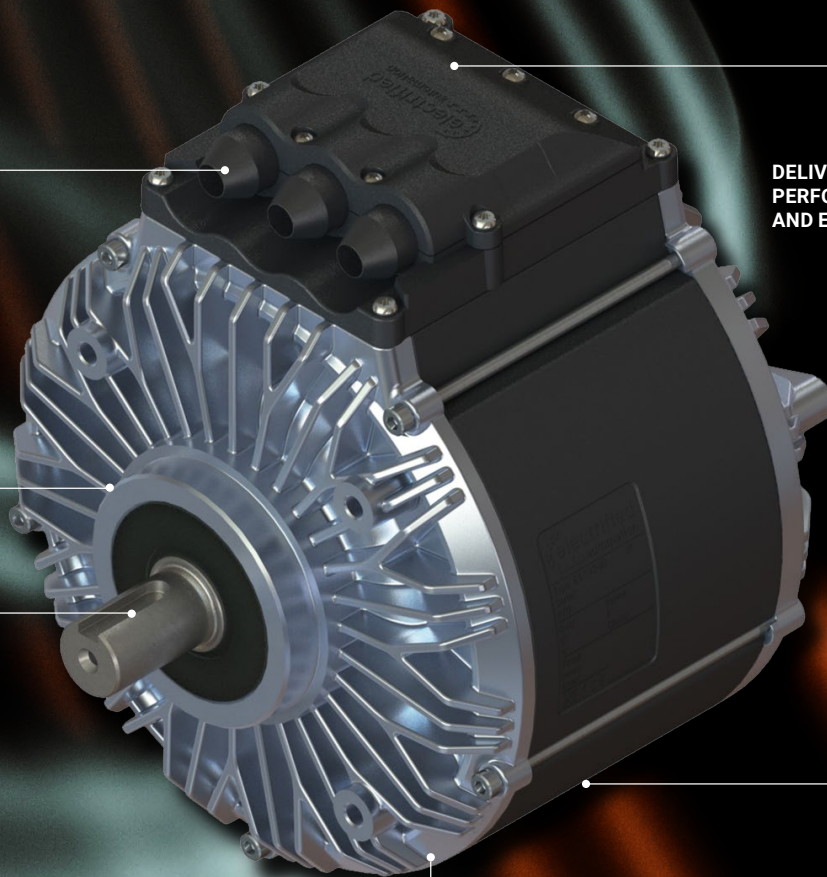
LIGHT AND COMPACT

THROUGH SHAFT
CAPABILITY

OPTIMISED FOR REPEATABLE,
SCALEABLE AUTOMATED
MANUFACTURING

DELIVERS MAXIMUM
PERFORMANCE, POWER
AND EFFICIENCY

HIGH POWER
DENSITY



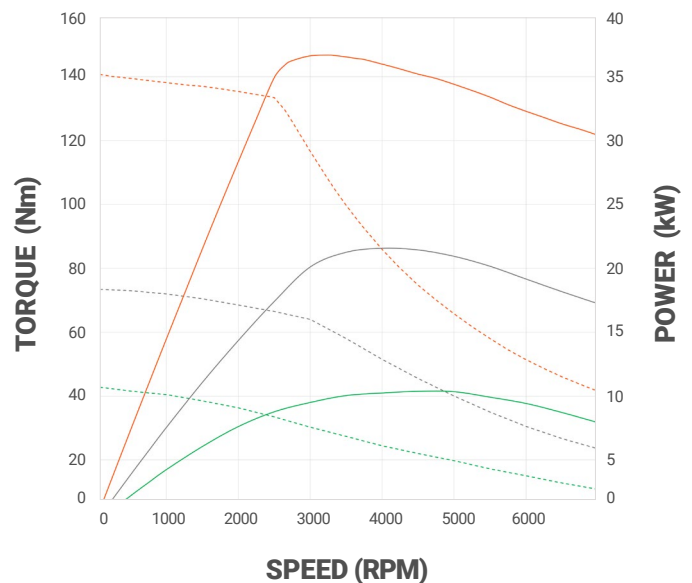
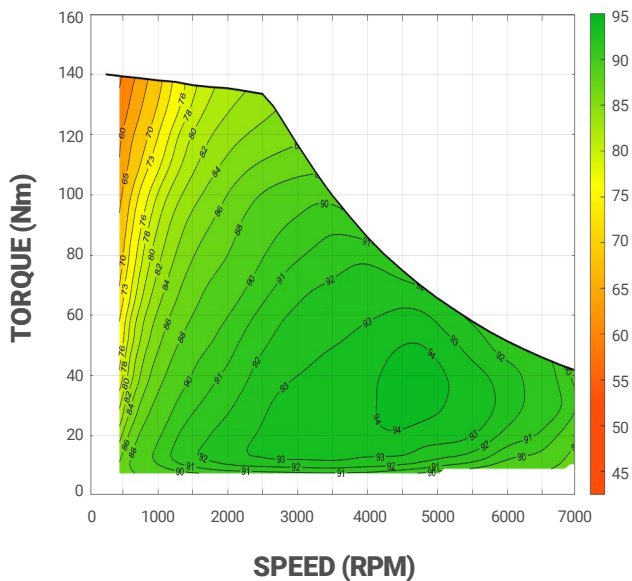
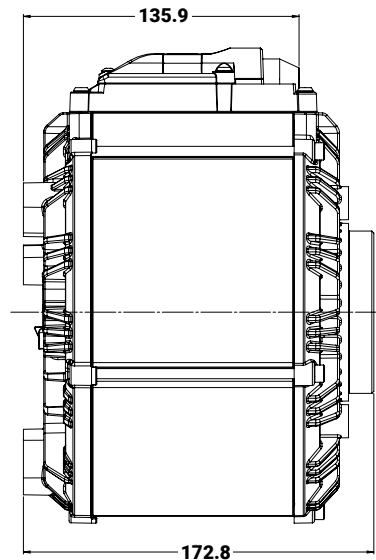
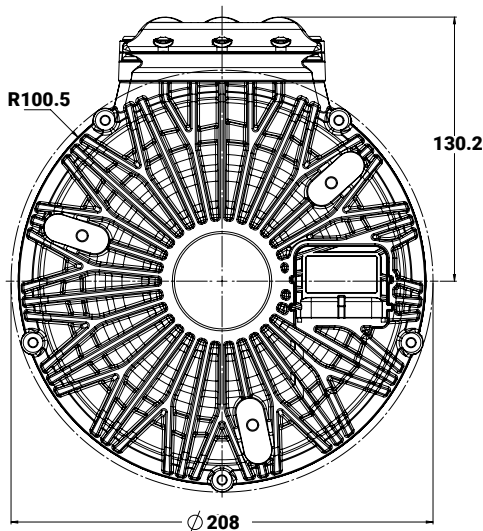
| 193-80-10A+ (80V) |

193-80-10A+ (80V)

PRODUCT SPECIFICATION



NOMINAL VOLTAGE	PEAK TORQUE @900ARMS	PEAK POWER [S2-5]	RATED POWER [S2-60]	MAXIMUM SPEED	MOTOR WEIGHT
80V	140Nm	36.7kW	10kW	7000RPM	18kg



*DATA RECORDED AT 25°C AMBIENT

— TORQUE [S2-1] — TORQUE [S2-10] — TORQUE [S2-60]
- - - POWER [S2-1] - - - POWER [S2-10] - - - POWER [S2-60]